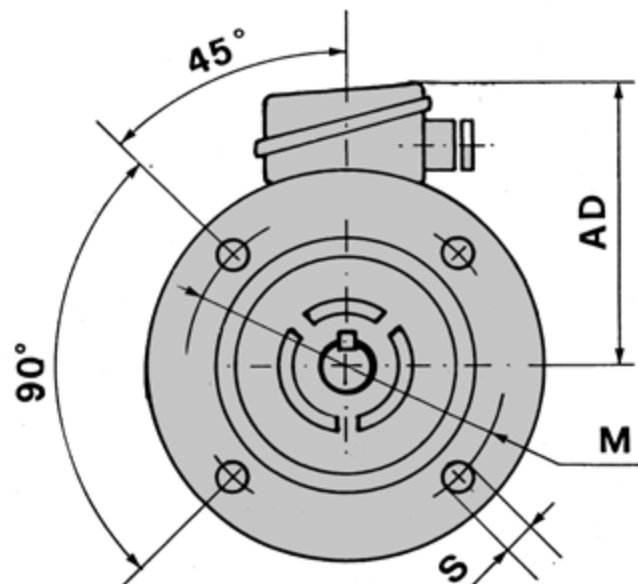
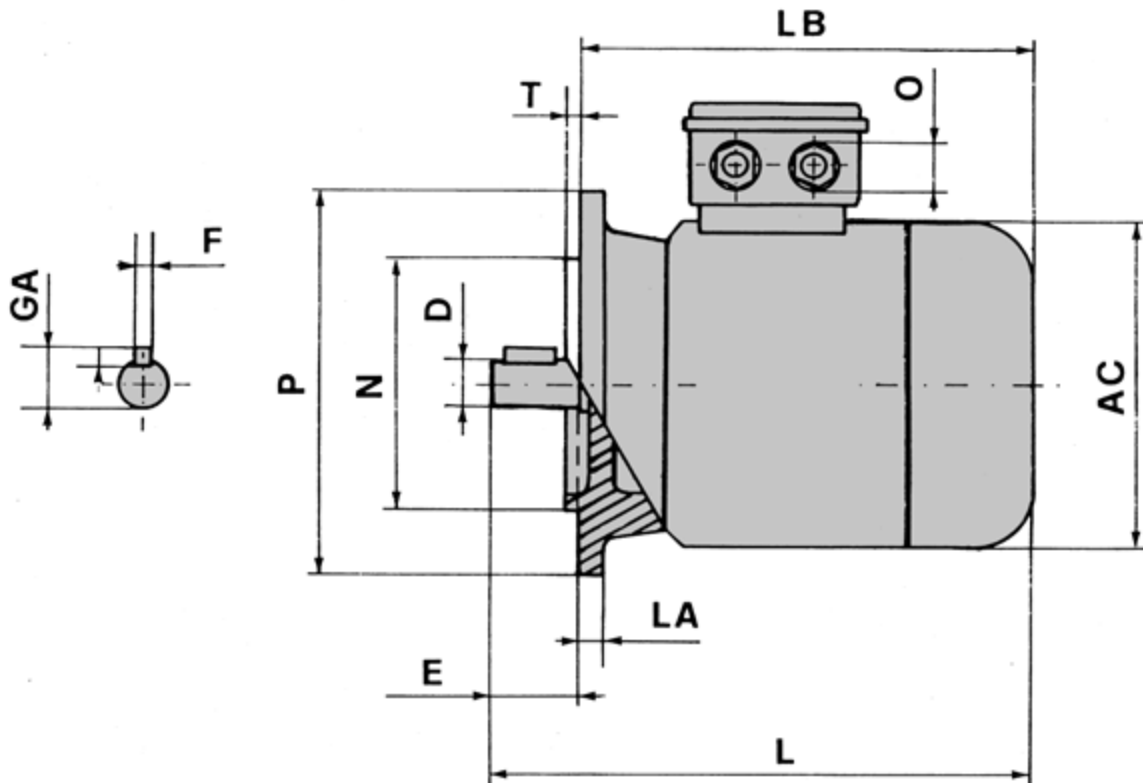


ESECUZIONE B5 IE2 - IE3

EXECUTION IM B5 IE2 - IE3

DIMENSIONI ED INGOMBRI MOTORI TRIFASE

OVERALL DIMENSIONS THREE-PHASE MOTORS



ESECUZIONE B5 IE2 - IE3
EXECUTION IM B5 IE2 - IE3

DIMENSIONI ED INGOMBRI MOTORI TRIFASE
OVERALL DIMENSIONS THREE-PHASE MOTORS

TIPO TYPE	DIMENSIONI DIMENSIONS mm												ALBERO SHAFT		
	AC	AD	L	LB	LA	M	N	P	S	T	O	D	E	GA	F
160MA, MB	350	270	675	565	15	300	250	350	19	5	M40	42	110	45	12
160L	350	270	705	595	15	300	250	350	19	5	M40	42	110	45	12
180M	350	288	740	630	18	300	250	350	19	5	M40	48	110	51.5	14
180L	350	288	788	678	18	300	250	350	19	5	M40	48	110	51.5	14
200L	410	310	775	665	20	350	300	400	19	5	M50	55	110	59	16
225S 4-8	470	335	820	680	20	400	350	450	19	5	M50	60	140	64	18
225M 2	470	335	815	705	20	400	350	450	19	5	M50	55	110	59	16
225M 4-8	470	335	845	705	20	400	350	450	19	5	M50	60	140	64	18
250M 2	495	360	930	790	22	500	450	550	19	5	M50	60	140	64	18
250M 4-8	495	360	930	790	22	500	450	550	19	5	M50	65	140	69	18
280S 2	580	410	985	845	23	500	450	550	19	5	M63	65	140	69	18
280S 4-8	580	410	985	845	23	500	450	550	19	5	M63	75	140	79.5	20
280M 2	580	410	1035	895	23	500	450	550	19	5	M63	65	140	69	18
280M 4-8	580	410	1035	895	23	500	450	550	19	5	M63	75	140	79.5	20
315S 2	645	530	1185	1045	24	600	550	660	24	6	M63	65	140	69	18
315S 4-8	645	530	1215	1045	24	600	550	660	24	6	M63	80	170	85	22
315M 2	645	530	1260	1120	24	600	550	660	24	6	M63	65	140	69	18
315M 4-8	645	530	1385	1215	24	600	550	660	24	6	M63	80	170	85	22
315L 2	645	530	1285	1145	24	600	550	660	24	6	M63	80	140	85	22
315L 4-8	645	530	1325	1155	24	600	550	660	24	6	M63	80	170	85	22
355M 2	710	655	1500	1360	30	740	680	800	24	6	M63	75	140	79.5	20
355M 4-8	710	655	1530	1320	30	740	680	800	24	6	M63	100	210	106	28
355L 2	710	655	1500	1360	30	740	680	800	24	6	M63	75	140	79.5	20
355L 4-8	710	655	1530	1320	30	740	680	800	24	6	M63	100	210	106	28