

Aluminum single stage gearboxes

Riduttori coassiali ad uno stadio in alluminio



SIZE	OUTPUT TORQUE	OUTPUT SHAFT
211A	20 Nm	ø14
311A	30 Nm	ø14
411A	38 Nm	ø19
511A	110 Nm	ø28

Aluminum coaxial gearboxes compact version

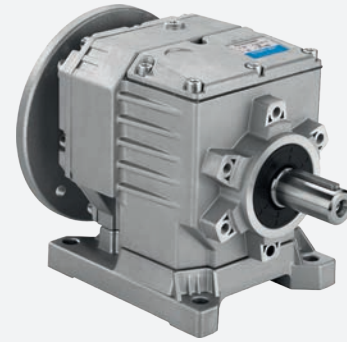
Riduttori coassiali in alluminio versione compatta



SIZE	OUTPUT TORQUE	OUTPUT SHAFT
202A	70 Nm	ø16
302A	120 Nm	ø20
452A	300 Nm	ø30

Aluminum coaxial gearboxes

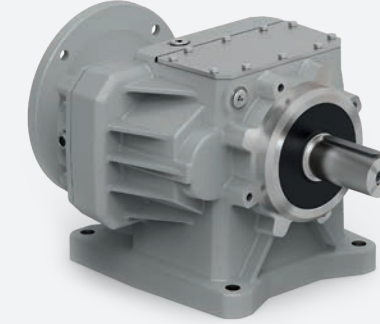
Riduttori coassiali in alluminio



SIZE	OUTPUT TORQUE	OUTPUT SHAFT
412/3A	175 Nm	ø25
512/3A	360 Nm	ø30
612/3A	530 Nm	ø35

Cast iron coaxial gearboxes

Riduttori coassiali in ghisa



SIZE	OUTPUT TORQUE	OUTPUT SHAFT
712/3C	675 Nm	ø35
812/3C	900 Nm	ø40
862/3C	1800 Nm	ø50
1002/3	3000 Nm	ø60
1102/3	4600 Nm	ø70

Shaft mounted gearboxes

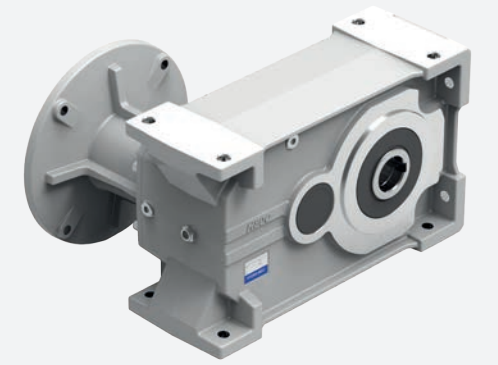
Riduttori pendolari



SIZE	OUTPUT TORQUE	OUTPUT SHAFT
FA32/3	150 Nm	ø25
FA41/2/3	320 Nm	ø30
FA52/3	510 Nm	ø35
FC61/2/3	675 Nm	ø35
FC71/2/3	900 Nm	ø40
FC81/2/3	2100 Nm	ø50

Parallel shaft gearboxes

Riduttori ad assi paralleli



SIZE	OUTPUT TORQUE	OUTPUT SHAFT
H61C	380 Nm	ø35
H62/3C	675 Nm	ø35
H71C	670 Nm	ø40
H72/3C	900 Nm	ø40
H81C	1175 Nm	ø50
H82/3C	2100 Nm	ø50

Worm gearboxes

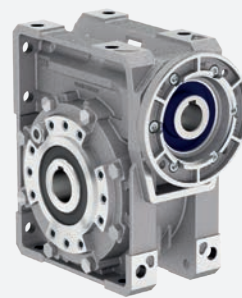
Riduttori a vite senza fine



SIZE	OUTPUT TORQUE	OUTPUT SHAFT
030	21 Nm	ø14
045	41 Nm	ø18
050	72 Nm	ø25
063	147 Nm	ø25
63A	191 Nm	ø28
085	347 Nm	ø35
110	651 Nm	ø42

Q Series Square worm gearboxes

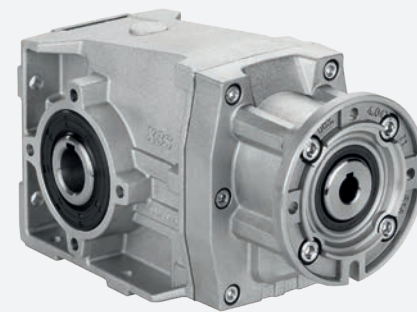
Riduttori quadrati a vite senza fine serie Q



SIZE	OUTPUT TORQUE	OUTPUT SHAFT
Q30	21 Nm	ø14
Q45	41 Nm	ø18
Q50	72 Nm	ø25
Q63	147 Nm	ø25
Q75	270 Nm	ø28
Q85	347 Nm	ø35
Q11	651 Nm	ø42
Q13	1050 Nm	ø45
Q15	1550 Nm	ø50

Aluminum helical - bevel gearboxes

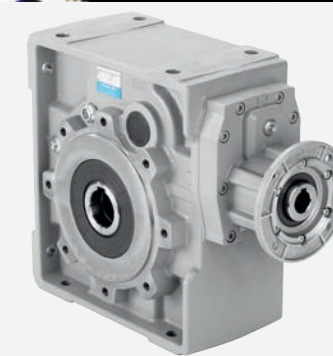
Riduttori ortogonali a coppia conica in alluminio



SIZE	OUTPUT TORQUE	OUTPUT SHAFT
X22S	50 Nm	ø20
X32/3S	100 Nm	ø20
X42/3A	160 Nm	ø25
X52/3A	250 Nm	ø30
X62/3A	410 Nm	ø35

Cast iron helical - bevel gearboxes

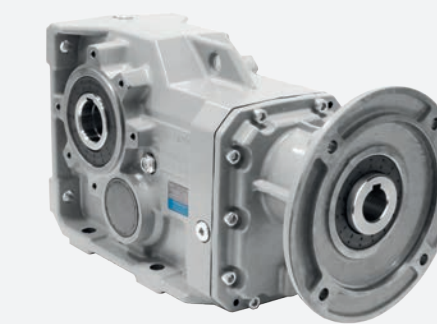
Riduttori ortogonali a coppia conica in ghisa



SIZE	OUTPUT TORQUE	OUTPUT SHAFT
113/4C	675 Nm	ø40
133/4C	1000 Nm	ø45

Cast iron helical - bevel gearboxes

Riduttori ortogonali a coppia conica in ghisa



SIZE	OUTPUT TORQUE	OUTPUT SHAFT
X73/4C	675 Nm	ø40
X83/4C	1000 Nm	ø40
X93/4C	1650 Nm	ø50
X103/4	3000 Nm	ø60
X113/4	4600 Nm	ø70